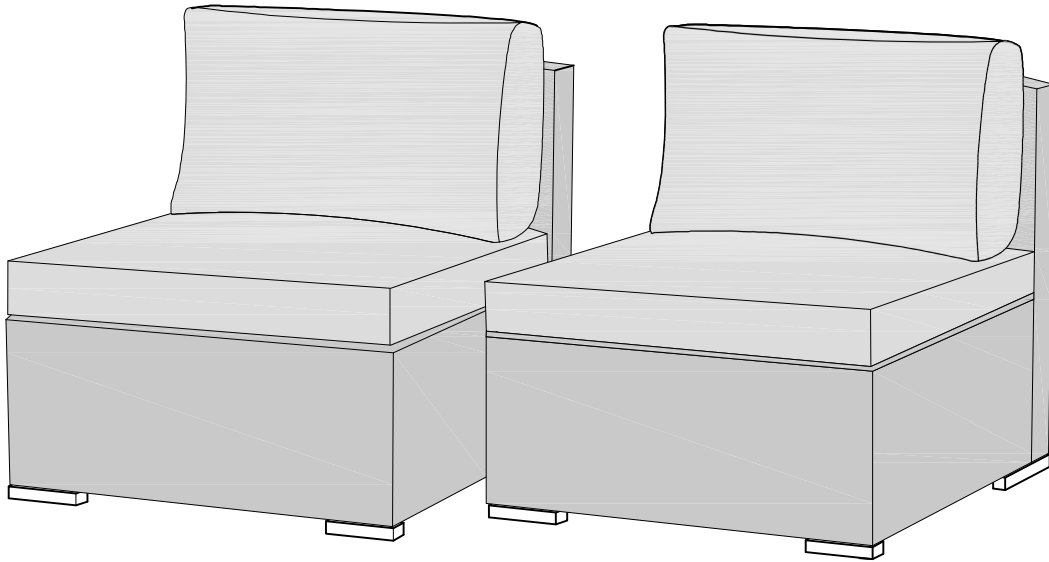






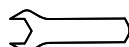
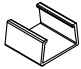
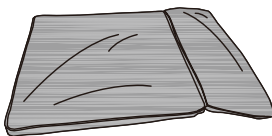
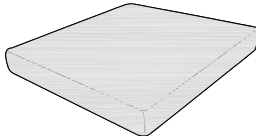
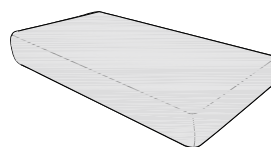
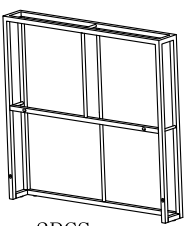
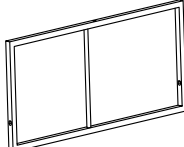
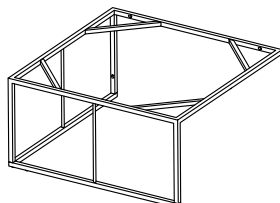
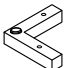
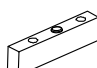


PE Rattan Sectional Sofa Set_A SS16002

Thanks for choosing our product, kindly check parts listed below and read this manual very carefully, then assemble them step by step, please feel free to contact us for any questions.

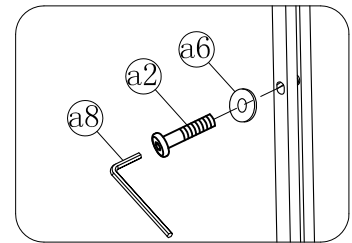
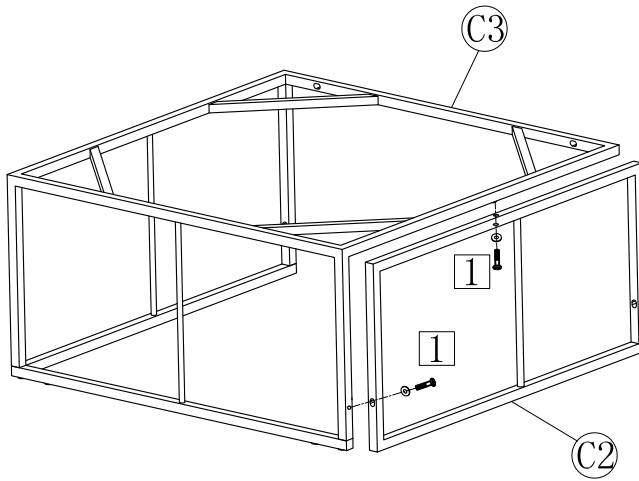


Parts List

<p>a1</p>  <p>M6*18 16PCS</p>	<p>a2</p>  <p>M6*32 4PCS</p>	<p>a3</p>  <p>M6*45 8PCS</p>	<p>a6</p>  <p>M6 20PCS</p>
<p>a7</p>  <p>M6 8PCS</p>	<p>a8</p>  <p>1PCS</p>	<p>a9</p>  <p>1PCS</p>	<p>a10</p>  <p>4PCS</p>
<p>E1</p>  <p>Cushion Cover 2PCS</p>	<p>E2</p>  <p>Seat Cushion 2PCS</p>	<p>E3</p>  <p>Back Cushion 2PCS</p>	<p>C1</p>  <p>2PCS</p>
<p>C2</p>  <p>2PCS</p>	<p>C3</p>  <p>2PCS</p>	<p>①</p>  <p>4PCS</p>	<p>②</p>  <p>4PCS</p>

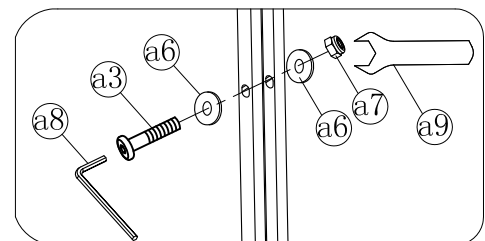
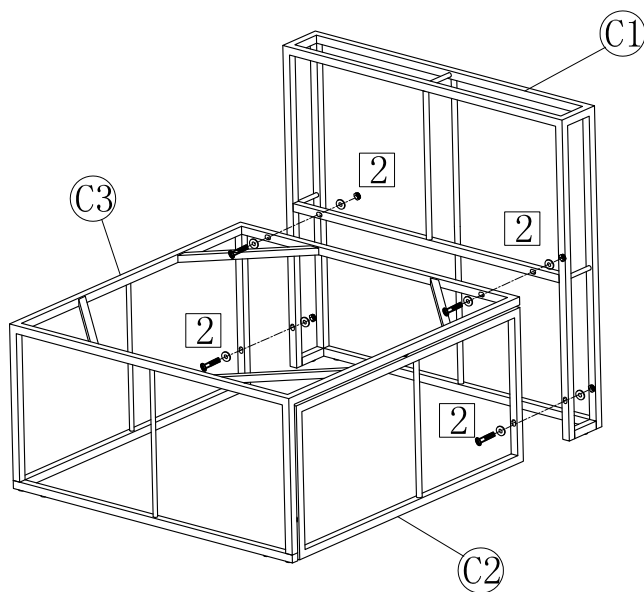
Single Sofa Assembly

STEP 1



1

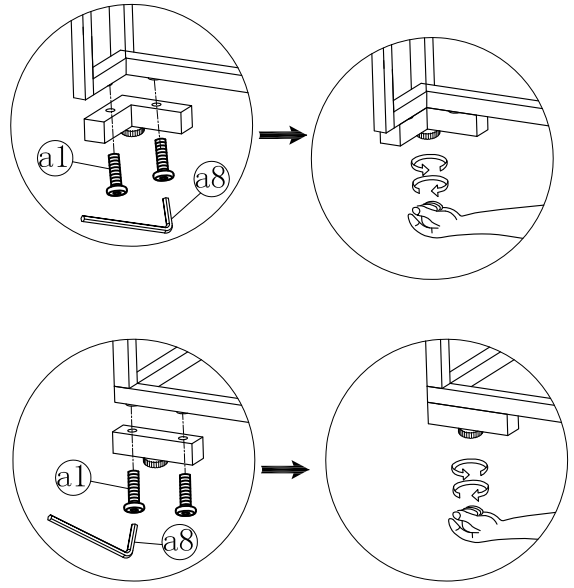
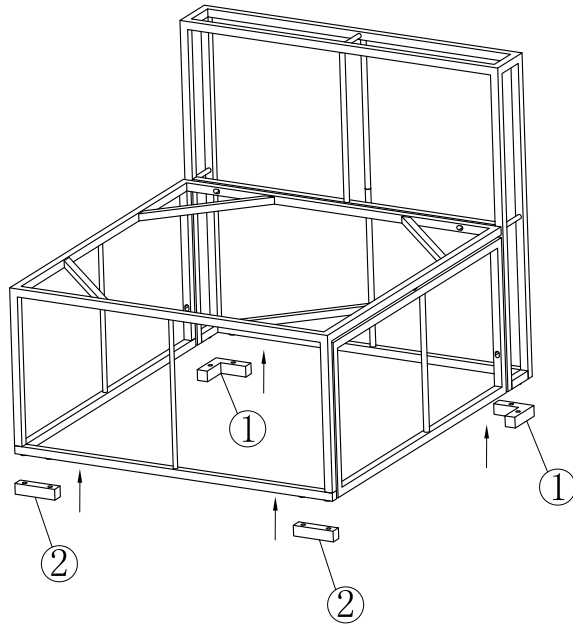
STEP 2



2

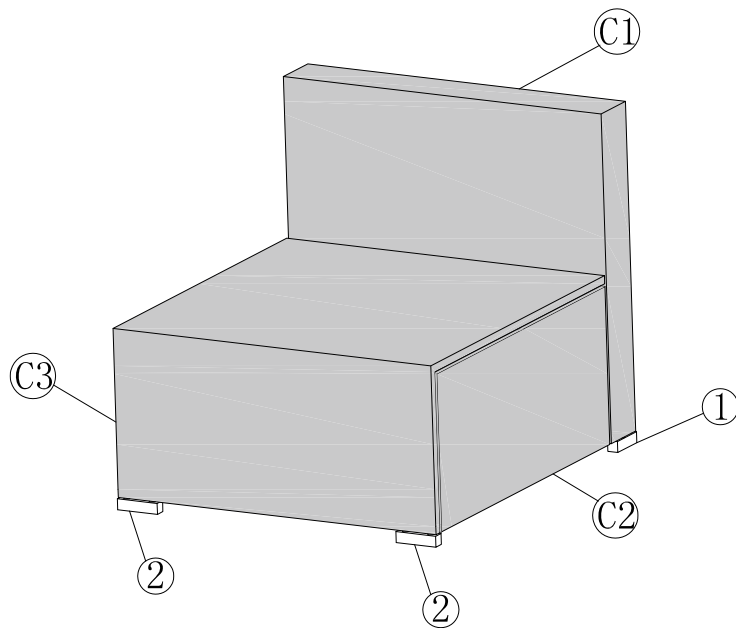
STEP3

Install all feet on the table.

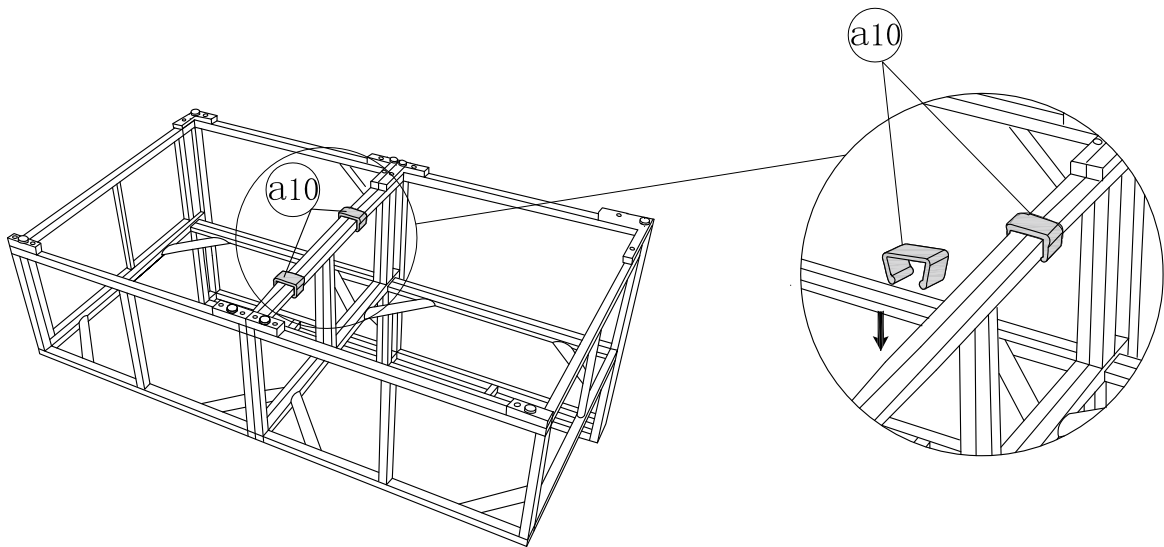


ASSEMBLE ACCOMPLISHED

Now you can assemble another armless chair with the same steps.

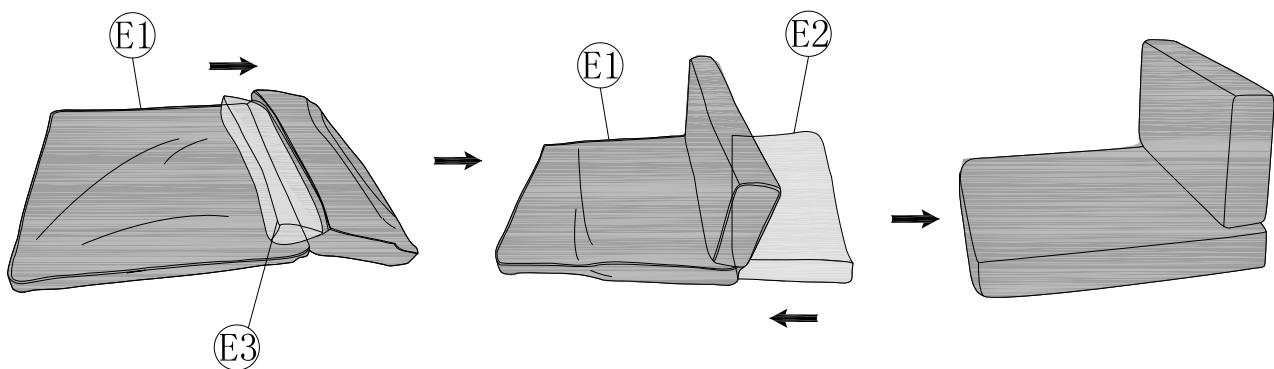


Clips Assembly

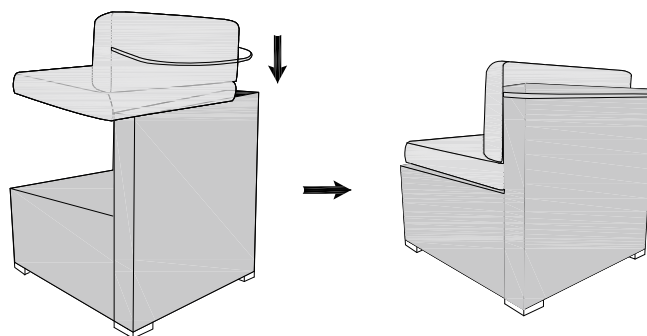


Use clips to keep the sofas connected.

Cushion Assembly



Put the back and seat cushions into the cover.

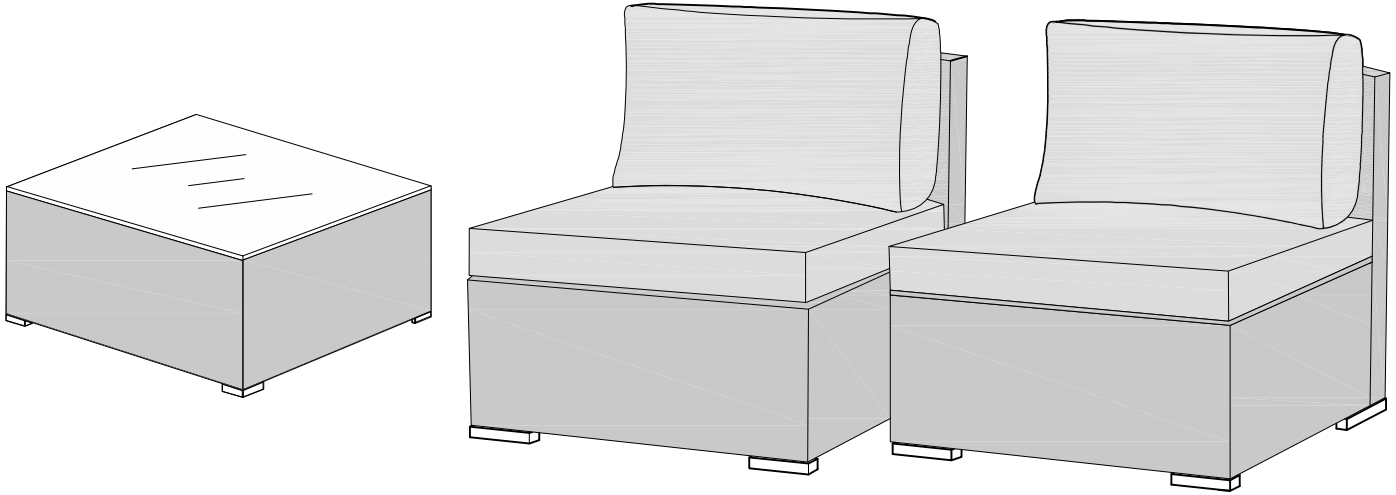


Attention

1. We care about every customer's using experience, please feel free to chat us if has anything missing or damaged or any advice, efficient solution would be offered soon.
2. Recommend to use waterproof furniture cover for entire patio sofa set when out of use to keep them
3. Sofa cushion cover can be removable and clean up by cleaner when have stains.
4. It's available to adjust foot height regarding ground condition to keep sofa in balance.

PE Rattan Sectional Sofa Set_B SS16002

Thanks for choosing our product, kindly check parts listed below and read this manual very carefully, then assemble them step by step, please feel free to contact us for any questions.



Parts List




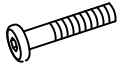


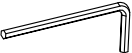
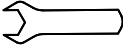

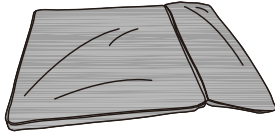
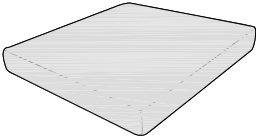
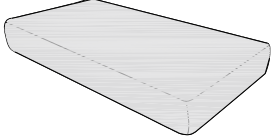
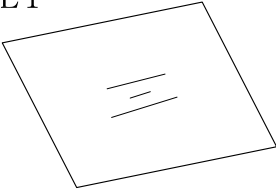
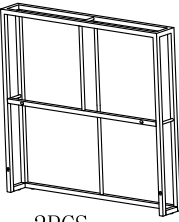
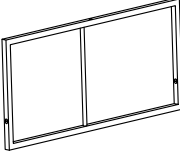
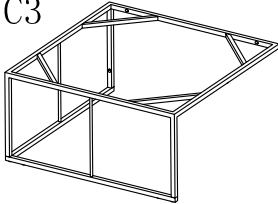
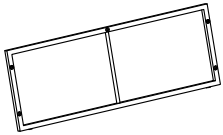
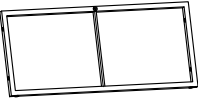
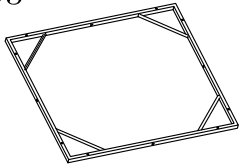
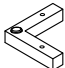
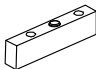
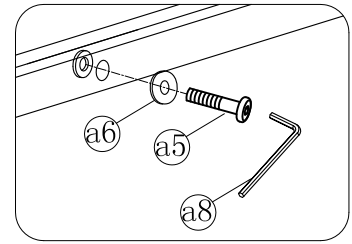
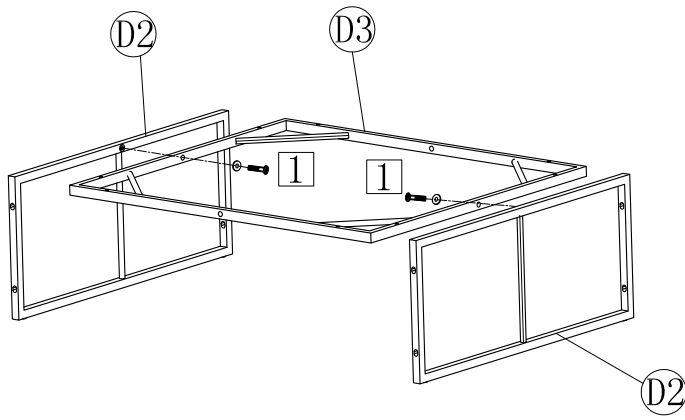
<p>a1</p>  <p>M6*18 24PCS</p>	<p>a2</p>  <p>M6*32 12PCS</p>	<p>a3</p>  <p>M6*45 8PCS</p>	<p>a5</p>  <p>M6*28 4PCS</p>	<p>a6</p>  <p>M6 32PCS</p>	<p>a7</p>  <p>M6 8PCS</p>	<p>a8</p>  <p>1PCS</p>
<p>a9</p>  <p>1PCS</p>	<p>a10</p>  <p>4PCS</p>	<p>E1</p>  <p>Cushion Cover 2PCS</p>	<p>E2</p>  <p>Seat Cushion 2PCS</p>	<p>E3</p>  <p>Back Cushion 2PCS</p>		
<p>E4</p>  <p>1PCS</p>	<p>C1</p>  <p>2PCS</p>	<p>C2</p>  <p>2PCS</p>	<p>C3</p>  <p>2PCS</p>	<p>D1</p>  <p>2PCS</p>		
<p>D2</p>  <p>2PCS</p>	<p>D3</p>  <p>1PCS</p>	<p>①</p>  <p>8PCS</p>	<p>②</p>  <p>4PCS</p>			

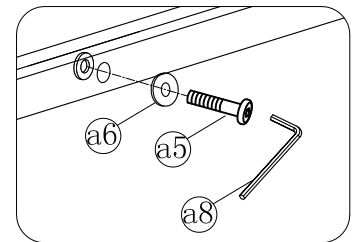
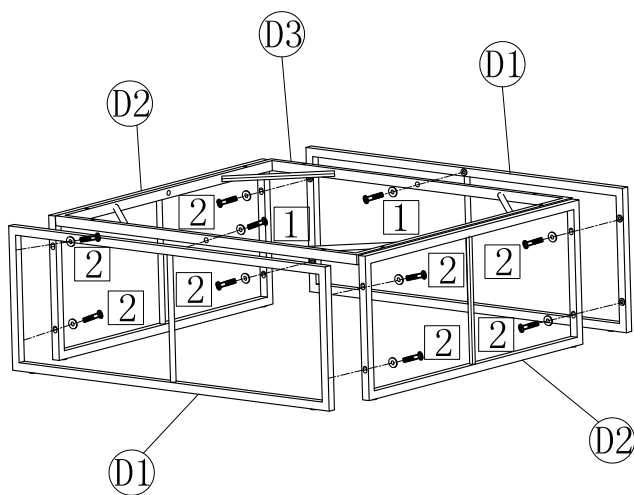
Table Assembly

STEP 1

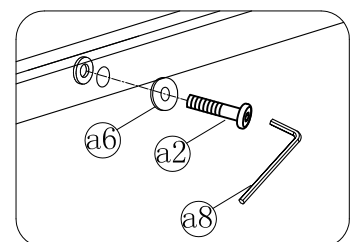


1

STEP 2



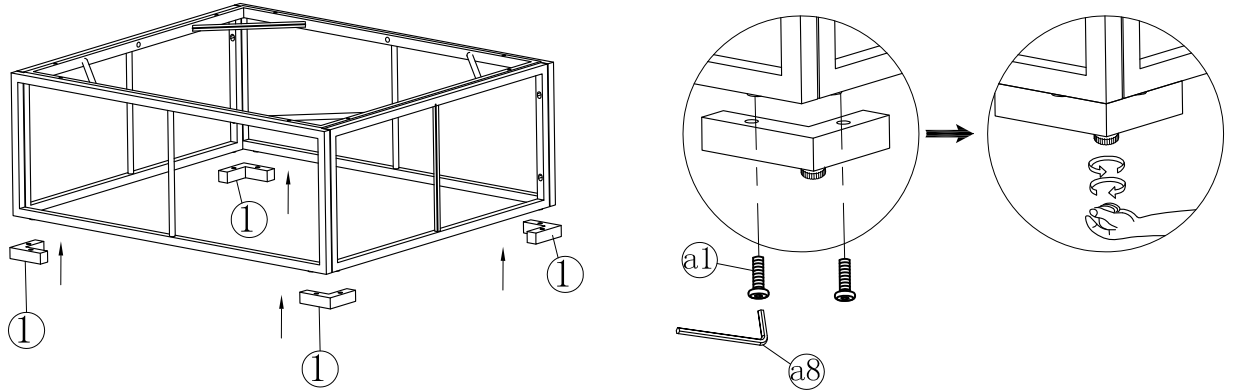
1



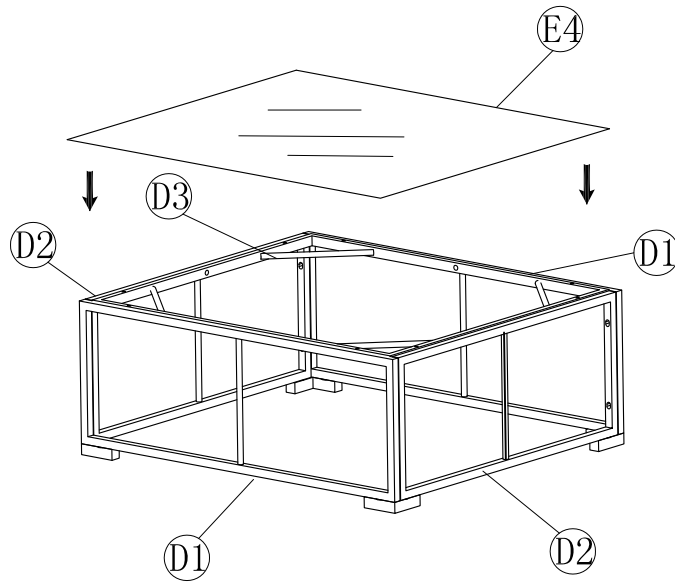
2

STEP3

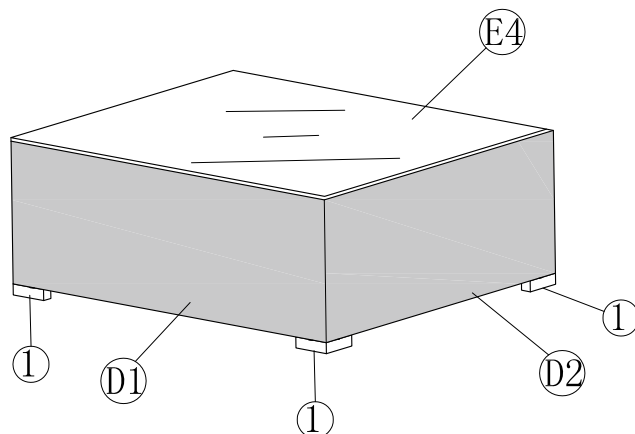
Install all feet on the table.



STEP4

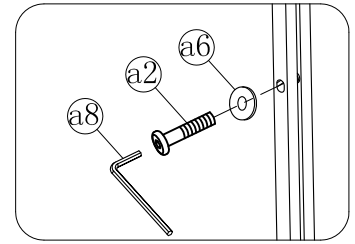
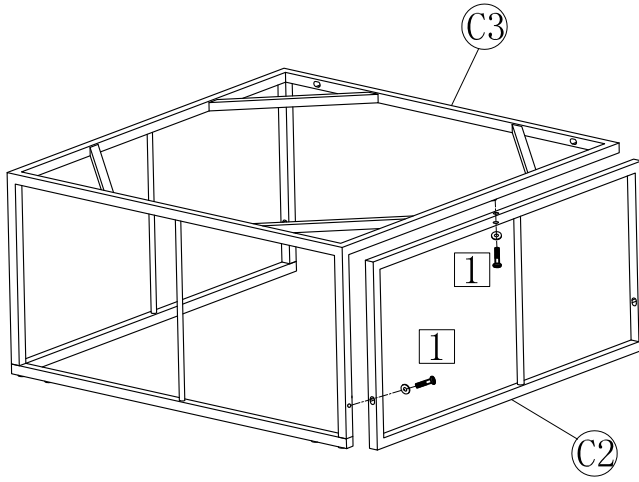


ASSEMBLE ACCOMPLISHED



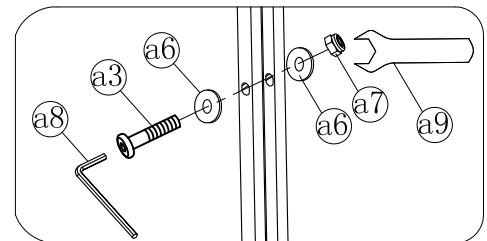
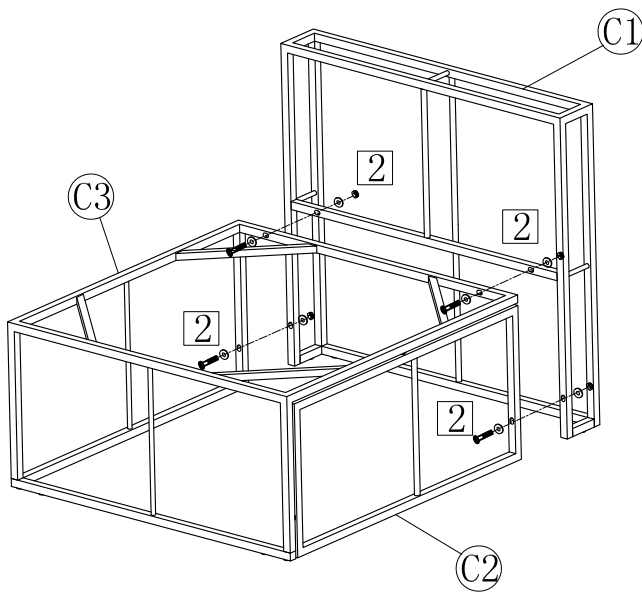
Single Sofa Assembly

STEP 1



1

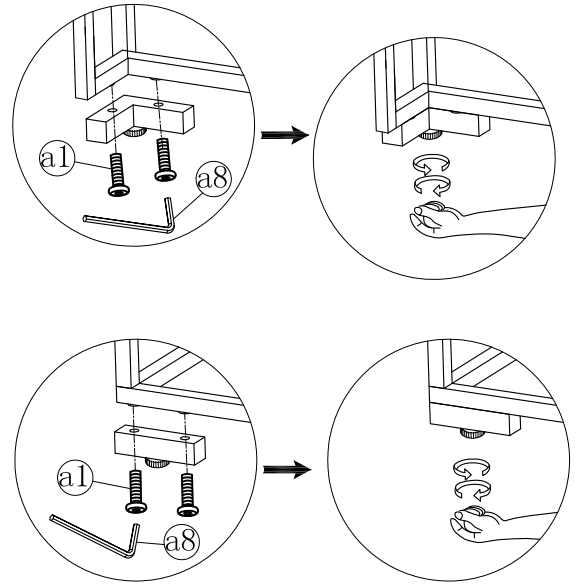
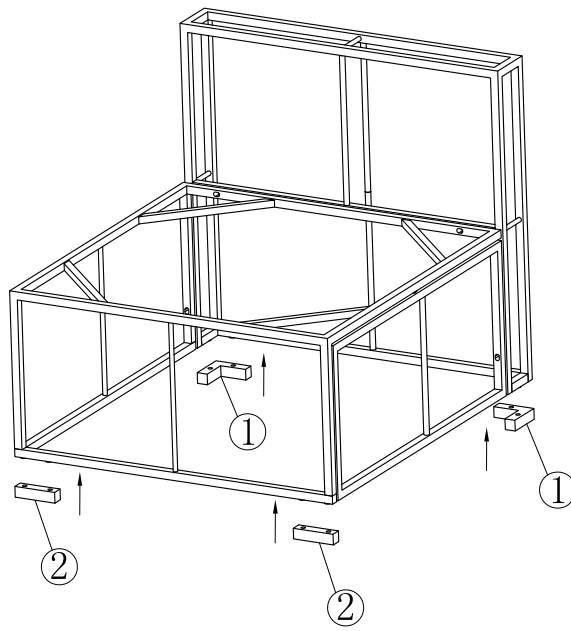
STEP 2



2

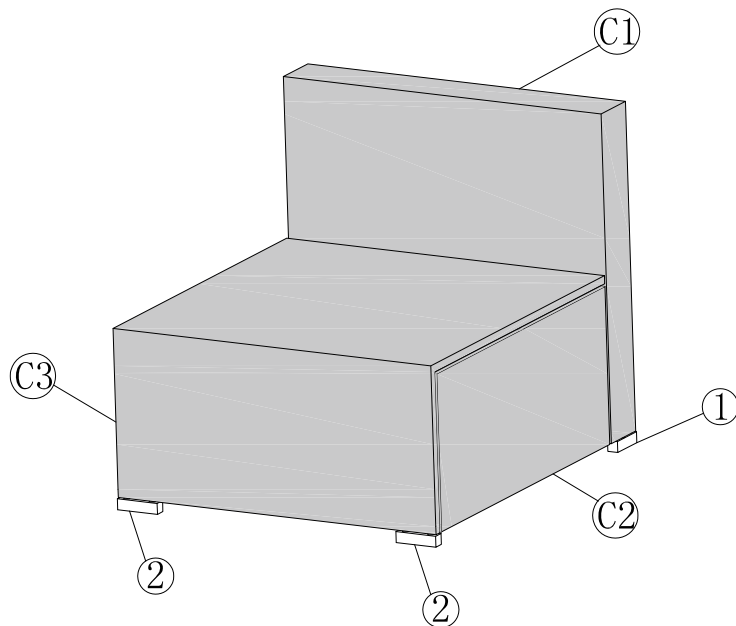
STEP3

Install all feet on the table.

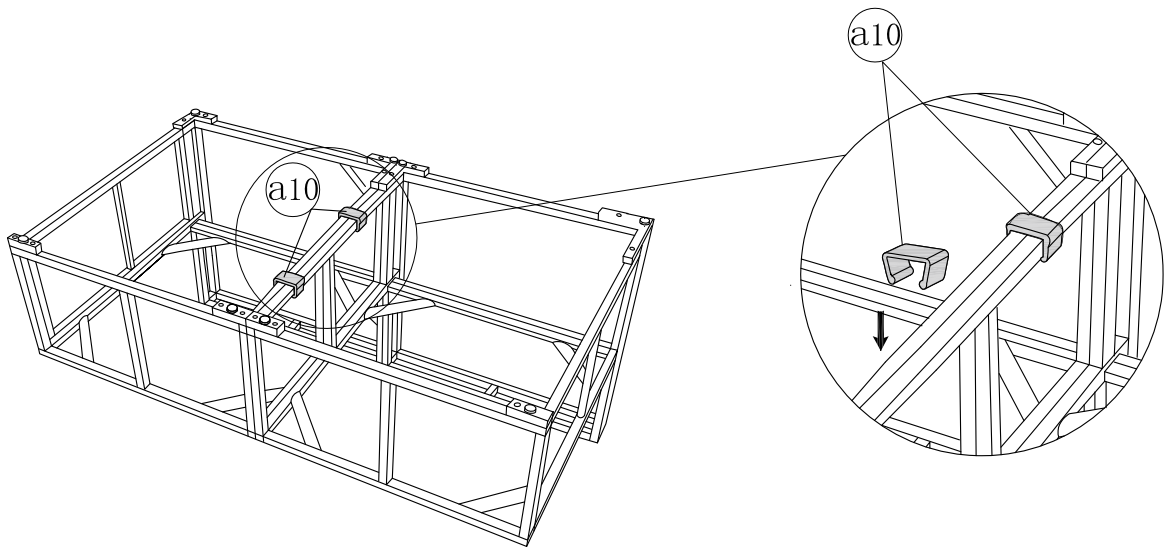


ASSEMBLE ACCOMPLISHED

Now you can assemble another armless chair with the same steps.

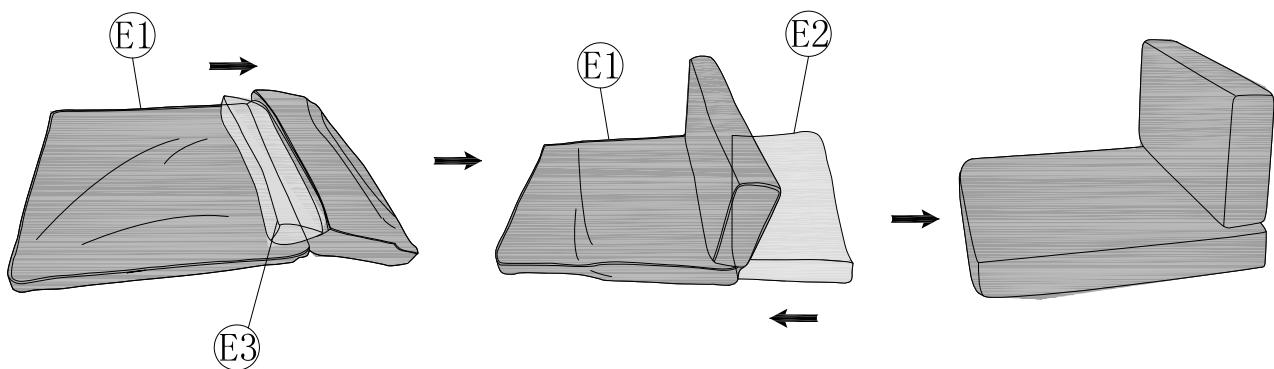


Clips Assembly

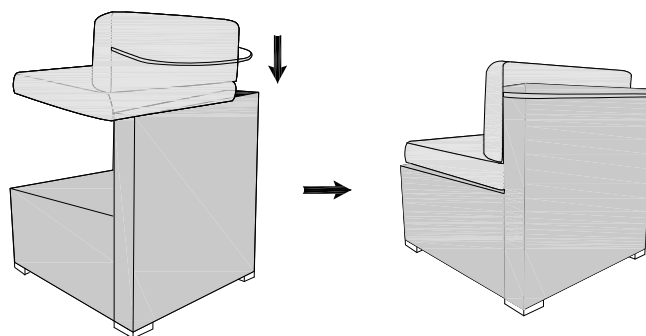


Use clips to keep the sofas connected.

Cushion Assembly



Put the back and seat cushions into the cover.

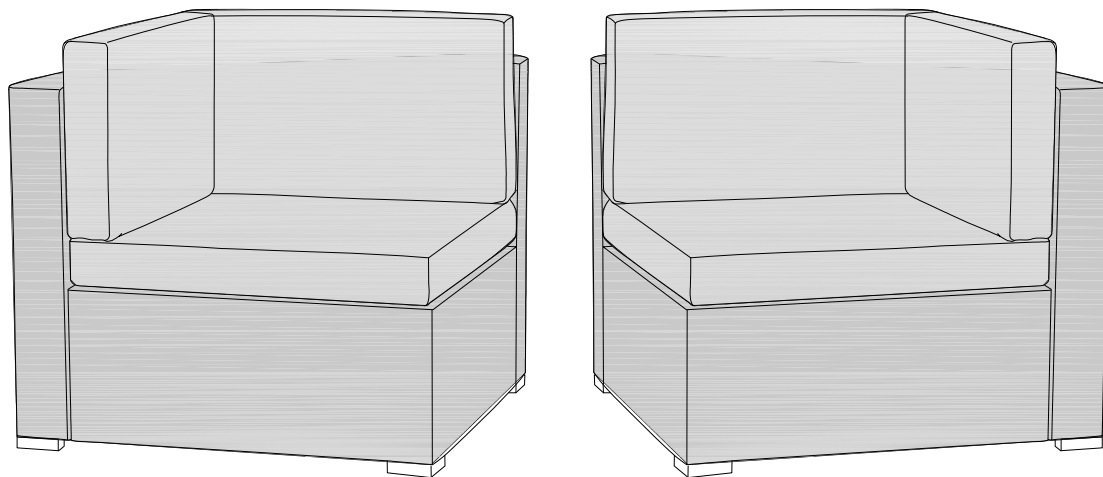


Attention



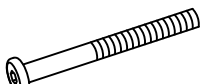


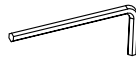
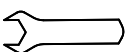
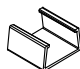
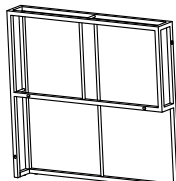
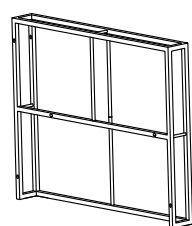
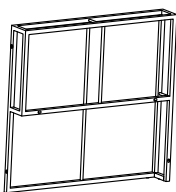
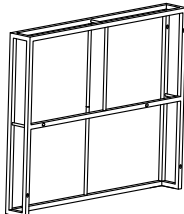
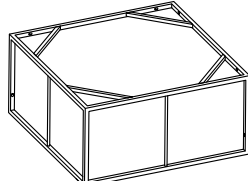
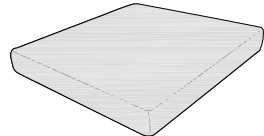
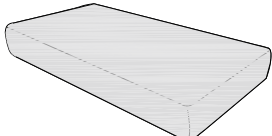
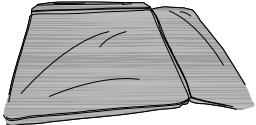
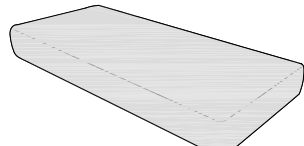
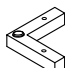
1. We care about every customer's using experience, please feel free to chat us if has anything missing or damaged or any advice, efficient solution would be offered soon.
2. Recommend to use waterproof furniture cover for entire patio sofa set when out of use to keep them
3. Sofa cushion cover can be removable and clean up by cleaner when have stains.
4. It's available to adjust foot height regarding ground condition to keep sofa in balance.

PE Rattan Sectional Sofa Set_C SS16002

Thanks for choosing our product, kindly check parts listed below and read this manual very carefully, then assemble them step by step, please feel free to contact us for any questions.

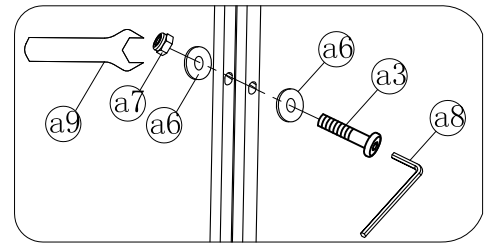
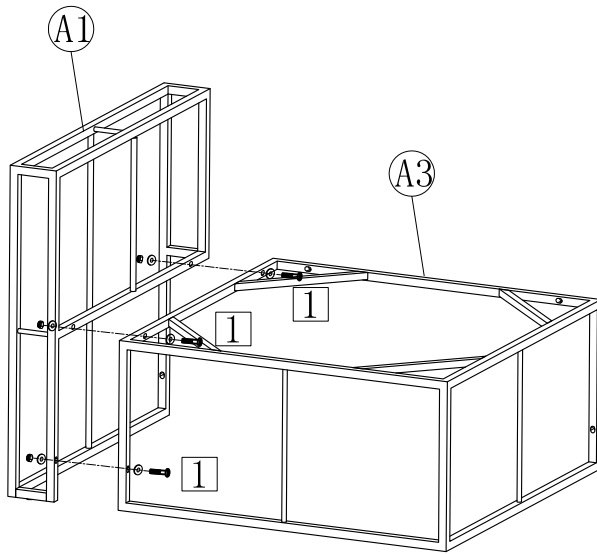


Parts List

<p>a1</p>  <p>M6*18 16PCS</p>	<p>a3</p>  <p>M6*45 14PCS</p>	<p>a4</p>  <p>M6*110 2PCS</p>	<p>a6</p>  <p>M6 30PCS</p>	<p>a7</p>  <p>M6 14PCS</p>	<p>a8</p>  <p>1PCS</p>
<p>a9</p>  <p>1PCS</p>	<p>a10</p>  <p>2PCS</p>	<p>A1</p>  <p>1PCS</p>	<p>A2</p>  <p>1PCS</p>		
<p>B1</p>  <p>1PCS</p>	<p>B2</p>  <p>1PCS</p>	<p>A3</p>  <p>2PCS</p>	<p>E2</p>  <p>Seat Cushion 2PCS</p>		
<p>E3</p>  <p>Short Back Cushion 2PCS</p>	<p>E5</p>  <p>Cushion Cover 2PCS</p>	<p>E6</p>  <p>Long Back Cushion 2PCS</p>	<p>①</p>  <p>8PCS</p>		

Right Corner Sofa Assembly

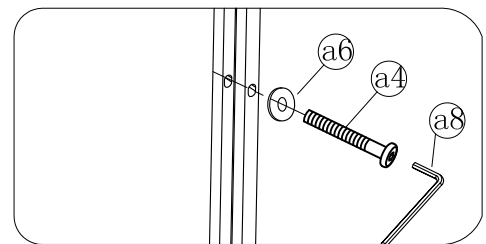
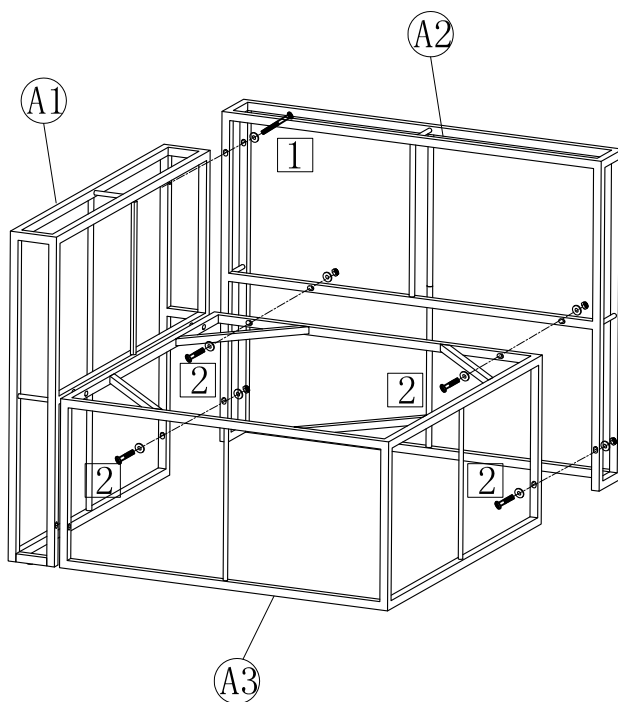
STEP1



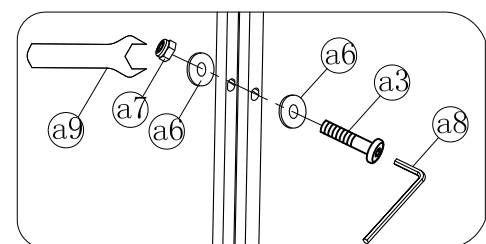
1

Kindly check A1 and B1, A2 and B2 very carefully, which are similar but has different hole position on the side of sofa.

STEP2

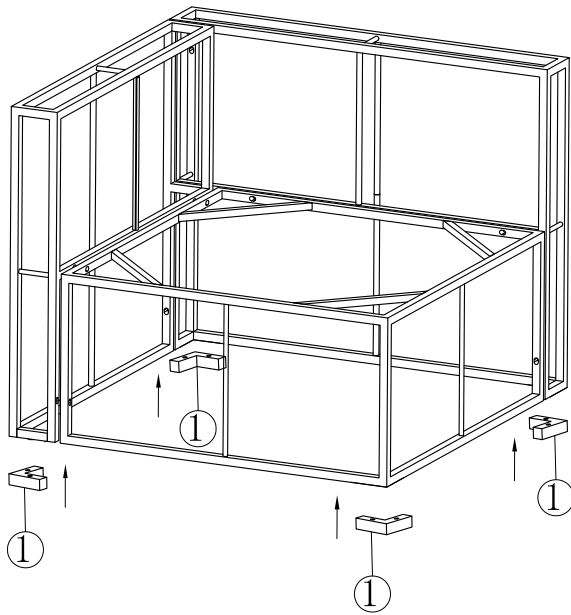


1

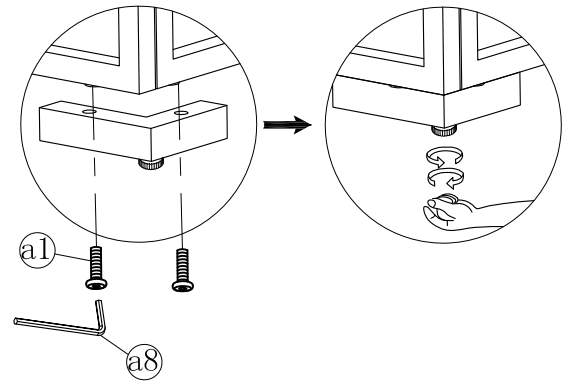


2

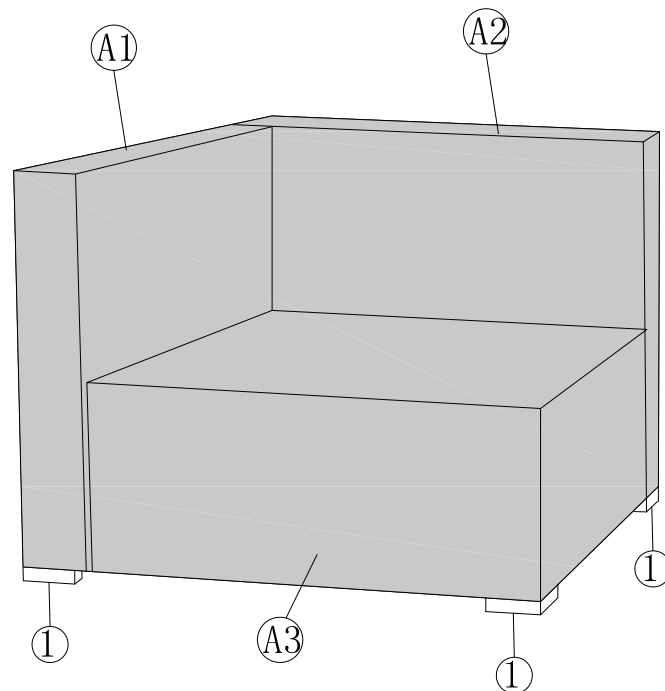
STEP 3



Install all feet on the table.

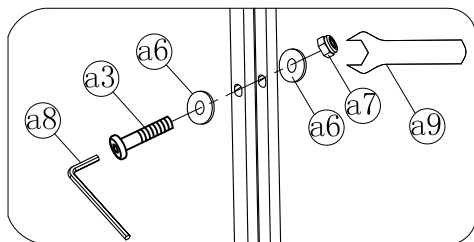


ASSEMBLE ACCOMPLISHED



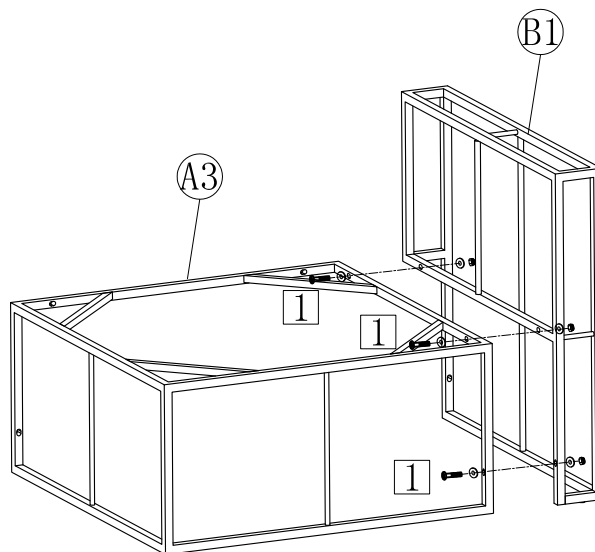
Left Corner Sofa Assembly

STEP1

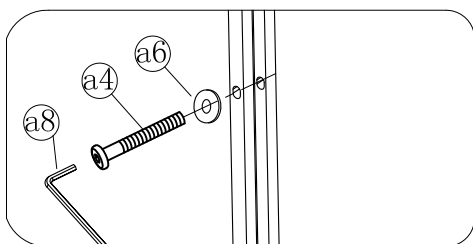


1

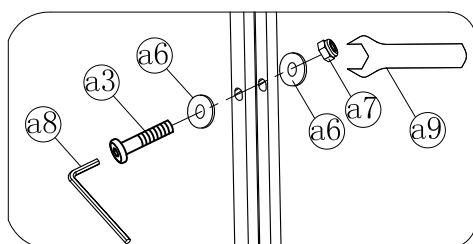
Kindly check A1 and B1, A2 and B2 very carefully, which are similar but has different hole position on the side of sofa.



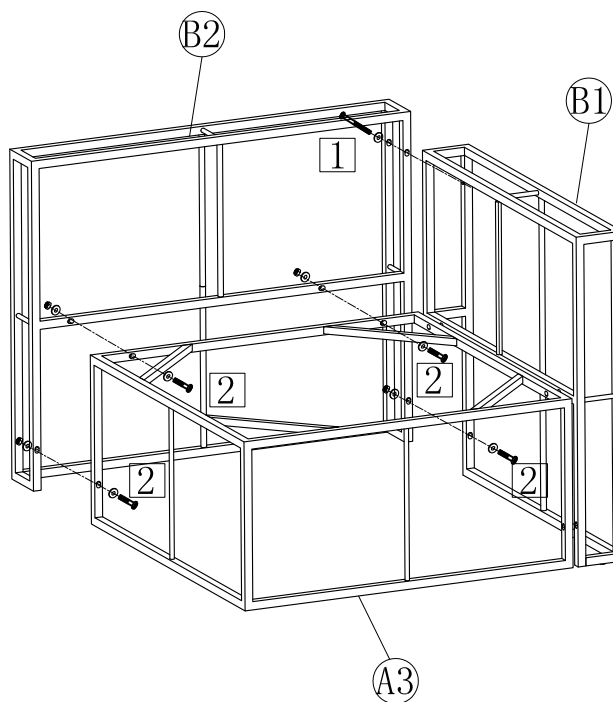
STEP2



1

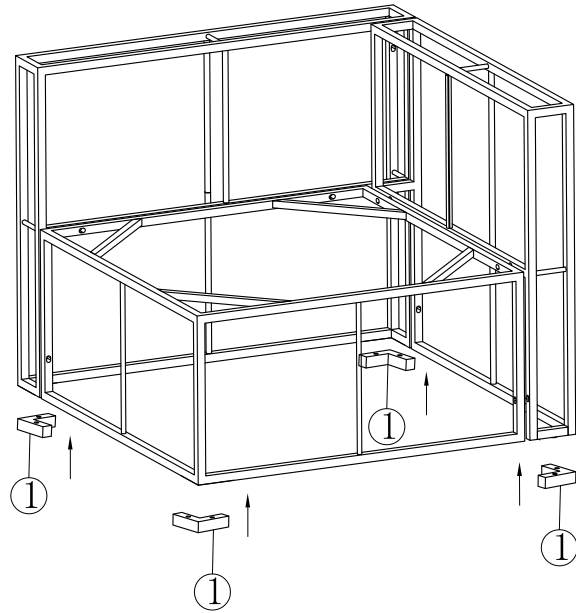
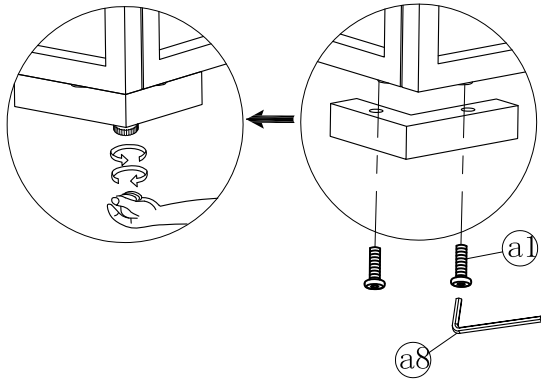


2

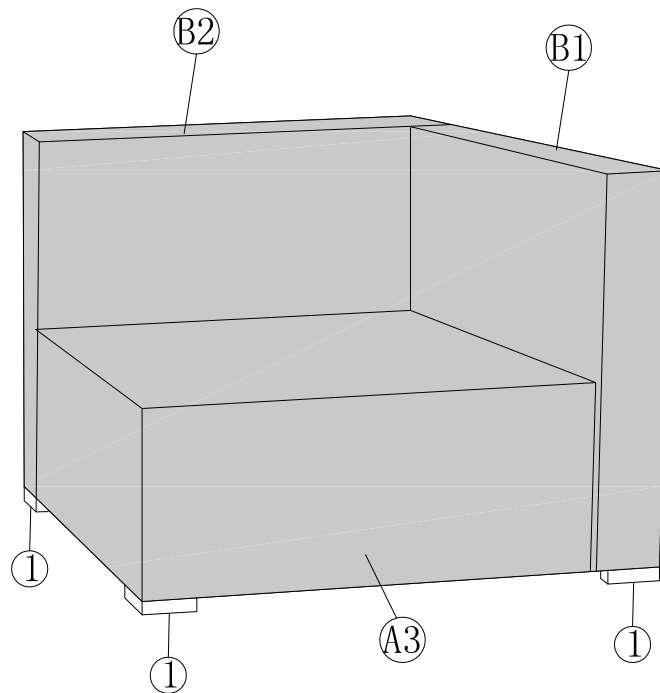


STEP 3

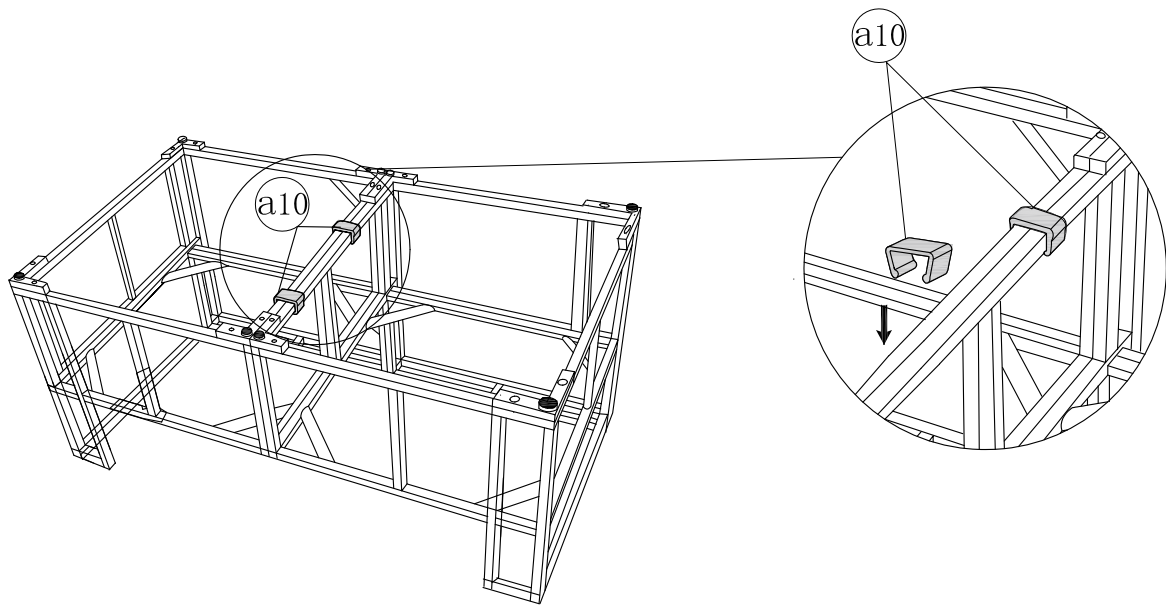
Install all feet on the table.



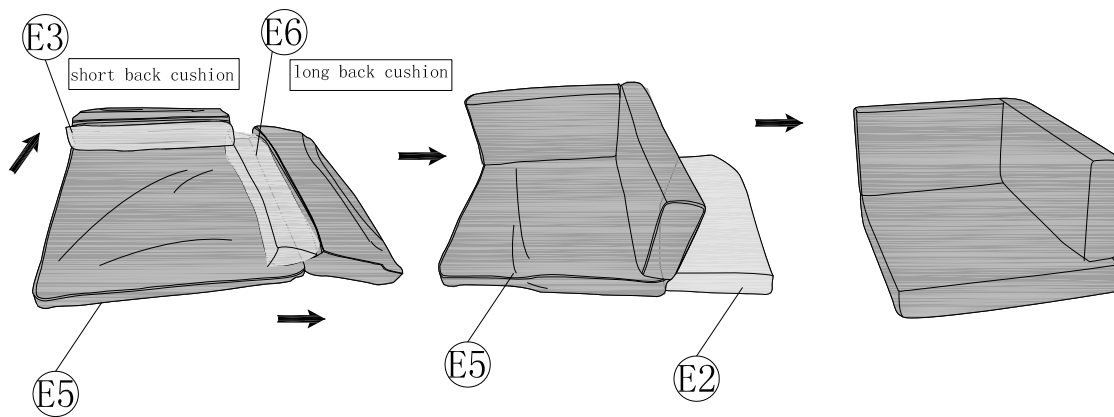
ASSEMBLE ACCOMPLISHED



Clips Assembly



Cushion Assembly



Put long back cushion E6 and short back cushion E3 into corresponding long and short side of the cushion cover.

Attention

1. We care about every customer's using experience, please feel free to chat us if has anything missing or damaged or any advice, efficient solution would be offered soon.
2. Recommend to use waterproof furniture cover for entire patio sofa set when out of use to keep them
3. Sofa cushion cover can be removable and clean up by cleaner when have stains.
4. It's available to adjust foot height regarding ground condition to keep sofa in balance.